

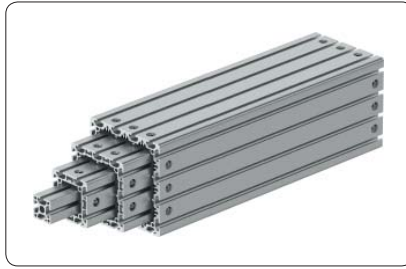


## » The Telescopic System

English  
1/2016  
EUR

 MayTec®

## Variations


**Telescopic profile 160×160, 16E, SP**

3-row sliding T-nut with

- telescopic profile 120×120, 12E, SP
- telescopic profile 80×80, 8E, SP
- profile 40×40, 4E, SP


**Telescopic profile 160×160, 16E, SP**

3-row sliding T-nut with

- telescopic profile 120×120, 12E, SP
- telescopic profile 80×80, 8E, SP


**Telescopic profile 160×160, 16E, SP**

3-row sliding T-nut with

- telescopic profile 120×120, 12E, SP


**Telescopic profile 120×120, 12E, SP**

2-row sliding T-nut with

- telescopic profile 80×80, 8E, SP
- profile 40×40, 4E, SP


**Telescopic profile 120×120, 12E, SP**

2-row sliding T-nut with

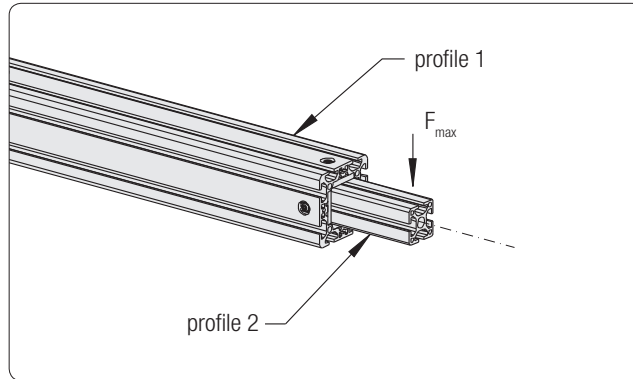
- telescopic profile 80×80, 8E, SP


**Telescopic profile 80×80, 8E, SP**

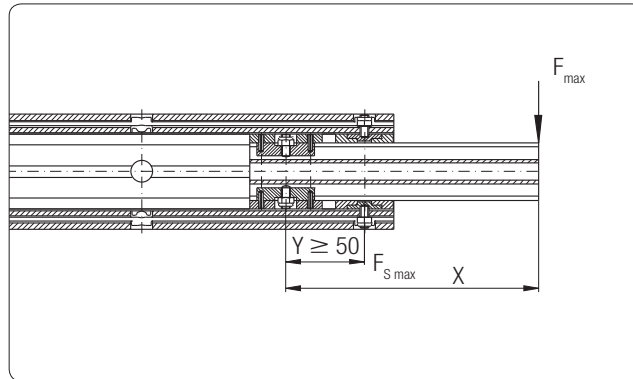
1-row sliding T-nut with

- profile 40×40, 4E, SP

Maximum admissible force  $F_{max}$



Maximum admissible force  $F_{max}$  perpendicular to center line

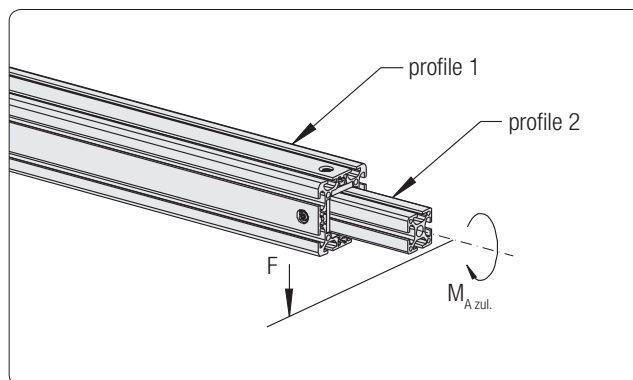


$$F_{max} = \frac{F_{S\ max} \times Y}{X}$$

Profile 1	Profile 2	$F_{S\ max}$		
		Sliding blocks		
		1-rowed	2-rowed	3-rowed
80×80	40×40	5,000 N	-	-
120×120	80×80	-	9,000 N	-
160×160	120×120	-	5,000 N	7,500 N

Maximum admissible moment

$M_{A\ max}$



Maximum admissible Moment  $M_{A\ max}$  generated by a force  $F$  radial to center line.

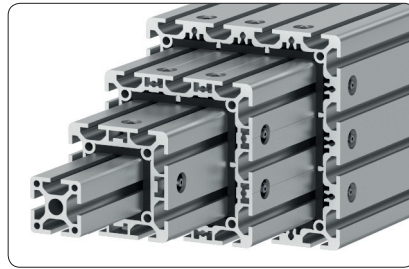
Profile 1	Profile 2	$M_{A\ max}$
80×80	40×40	400 Nm
120×120	80×80	900 Nm
160×160	120×120	800 Nm

<p><b>heavy</b></p>	<p><b>Technical data</b>  material: Al Mg Si 0,5 F22  tensile strength: 220 N/mm<sup>2</sup>  surface: natural anodised</p>	
<p>Description</p>	<p>Telescopic profile 80×80, 8E, SBP</p>	
<p>bar, 6 m</p>	<p>9.11.080080.83SBP.60</p>	
<p>moment of inertia cm<sup>4</sup>  moment of resistance cm<sup>3</sup>  weight kg/m</p>	<p><math>I_x = 150.0</math>   <math>I_y = 150.0</math>  <math>W_x = 37.5</math>   <math>W_y = 37.5</math>  <math>G = 5.2</math></p>	

<p><b>heavy</b></p> <p><b>Technical data</b>  material: Al Mg Si 0,5 F22  tensile strength: 220 N/mm<sup>2</sup>  surface: natural anodised</p>	<p><b>heavy</b></p>	<p><b>heavy</b></p> <p><b>Technical data</b>  material: Al Mg Si 0,5 F22  tensile strength: 220 N/mm<sup>2</sup>  surface: natural anodised</p>	
<p>Description</p>	<p>Telescopic profile 120×120, 12E, SP</p>	<p>Description</p>	<p>Telescopic profile 160×160, 16E, SP</p>
<p>bar, 6 m</p>	<p>9.11.120120.123SP.60</p>	<p>bar, 6 m</p>	<p>9.11.160160.163SP.60</p>
<p>moment of inertia cm<sup>4</sup>  moment of resistance cm<sup>3</sup>  weight kg/m</p>	<p><math>I_x = 554.0</math>   <math>I_y = 554.0</math>  <math>W_x = 93.0</math>   <math>W_y = 93.0</math>  <math>G = 7.8</math></p>	<p>moment of inertia cm<sup>4</sup>  moment of resistance cm<sup>3</sup>  weight kg/m</p>	<p><math>I_x = 1,424.0</math>   <math>I_y = 1,424.0</math>  <math>W_x = 178.0</math>   <math>W_y = 178.0</math>  <math>G = 10.7</math></p>

machining data ↗ Catalogue "The Profile System, Profile machining 1.1A"

**Sliding blocks for telescopic profile**



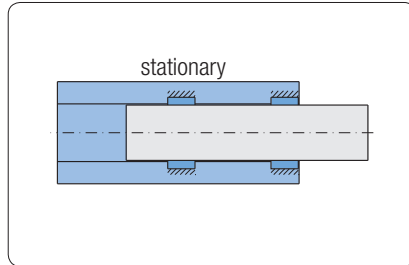
**Application**

Guide slot for telescopic profiles with sliding blocks

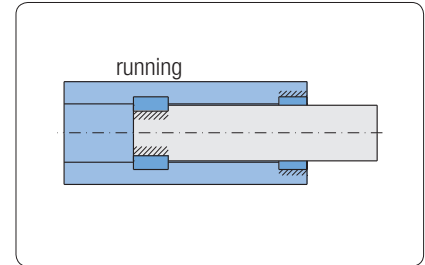
**Technical data**

material: PA, Murlubric  
colour: black

**Guide Variations**

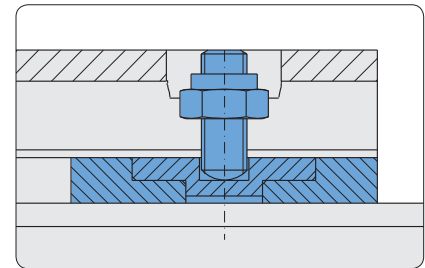
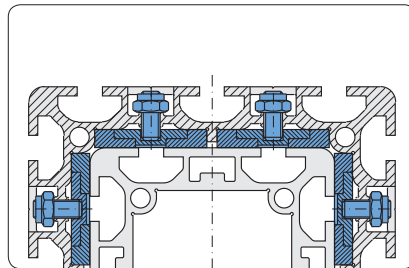
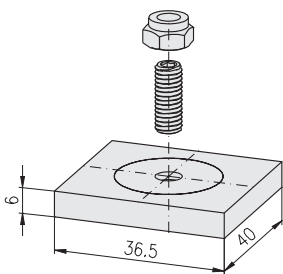


Sliding block, stationary



Sliding block, running

**Sliding block, stationary for telescopic profile**

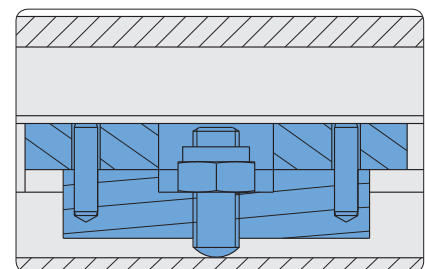
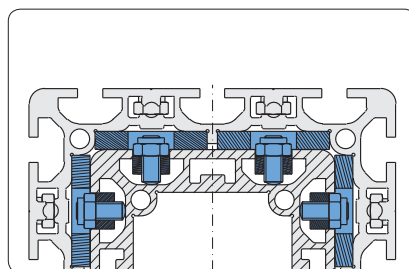
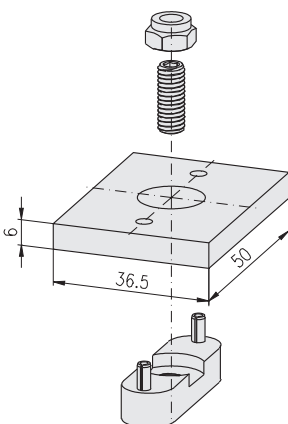


**Description**

Description	Weight	Product-No.
Sliding block, stationary, 40×36.5	7.6 g	9.67.1014036
Bush for sliding block, stationary	10.8 g	9.67.1024
Setscrew, special, M6×16, with spherical head, stainless	2.6 g	0.63.MT091X.06016
Setscrew, special, M6×17, with spherical head, stainless <sup>1)</sup>	2.5 g	0.63.MT091X.06017
Hexagonal nut, DIN 985 - M6	2.1 g	0.61.D00985.06

<sup>1)</sup> for Telescopic profile 160×160, 16E, SP

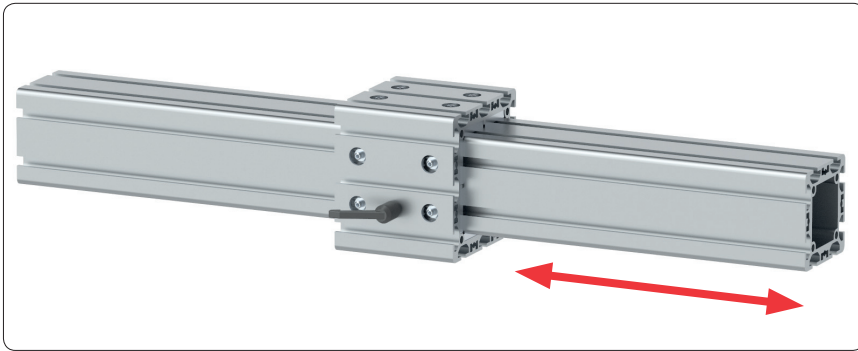
**Sliding block, running for telescopic profile**



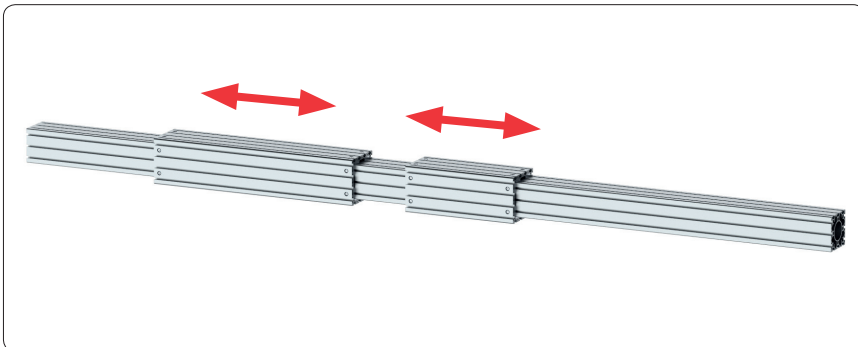
**Description**

Description	Weight	Product-No.
Sliding block, running, 50×36.5	10.5 g	9.67.1015036
Feather key, A 14×9×40, thread M6, with 2 dowel pins	31.0 g	9.67.1024.1409040
Setscrew, special, M6×16, with spherical head, stainless	2.6 g	0.63.MT091X.06016
Setscrew, special, M6×17, with spherical head, stainless <sup>1)</sup>	2.5 g	0.63.MT091X.06017
Hexagonal nut, DIN 985 - M6	2.1 g	0.61.D00985.06

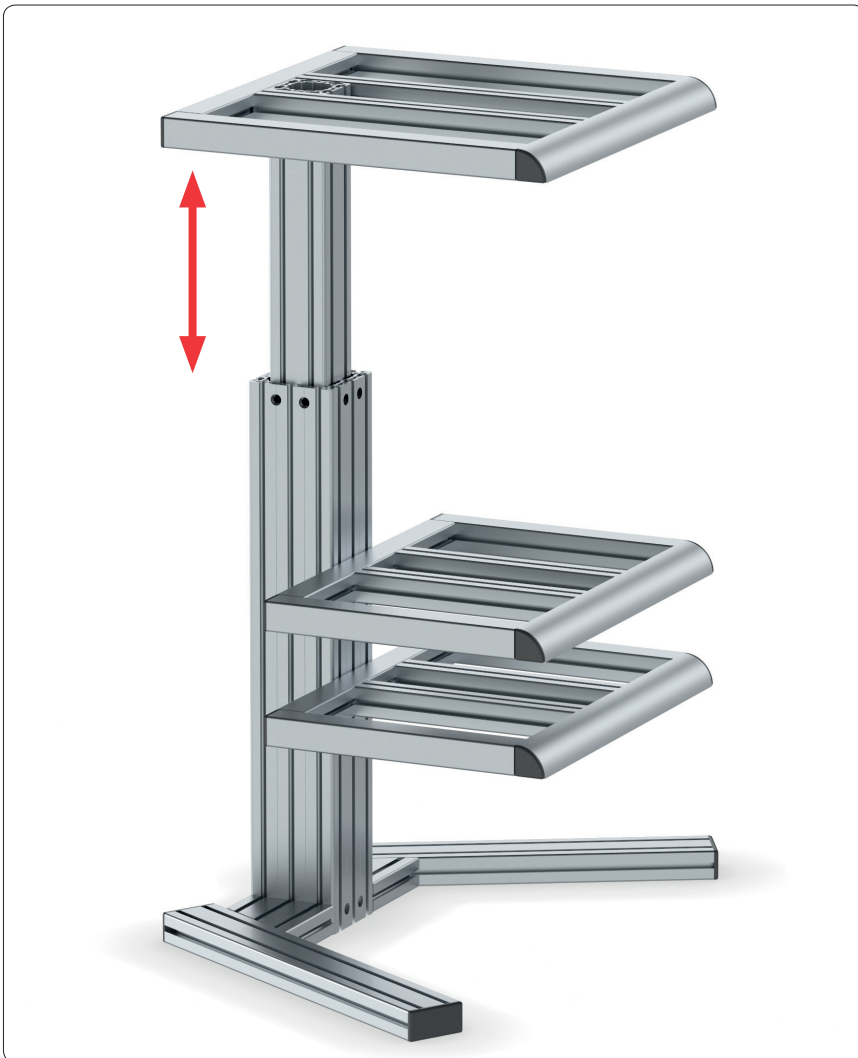
<sup>1)</sup> for Telescopic profile 160×160, 16E, SP



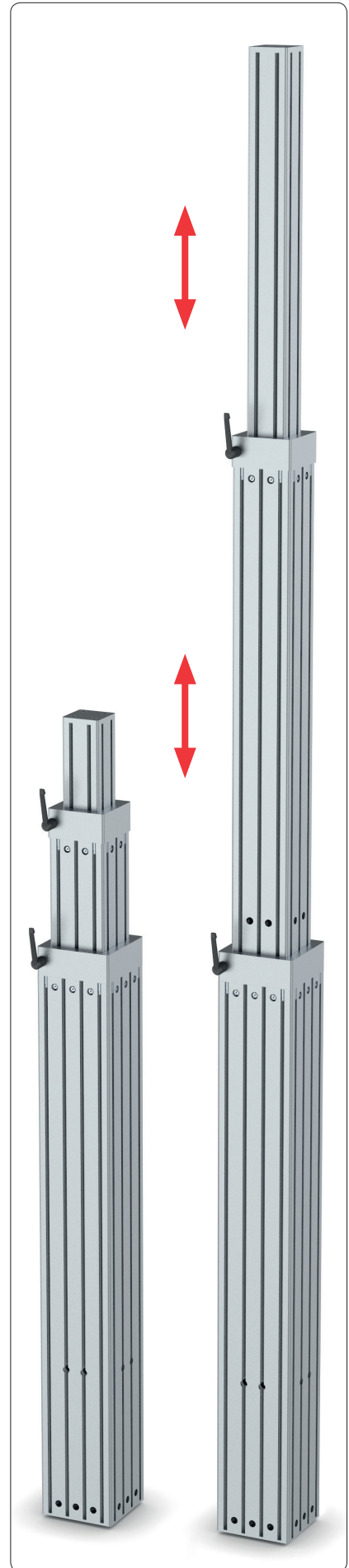
fixation with clamping lever



double carriage system



high adjustable standing desk



3 stepped system

### Order comments

- Definition of quantities  
Product-Number  
□.□□.□□□□□□.□□□□.60 = 1 bar  
□.□□.□□□□□□.□□□□.61 = 1 PU (Packing Unit)  
□.□□.□□□□□□.□□□□.99 = 1 PU of 100 pieces
- Cut to length (= saw cut *→ catalogue "The Profile System 1/2015, English" page 55ff*)  
Price for cut to length = price (€/m) of bar + price of profile machining for saw cut + surcharge for scrap

### Prices for profile machining

Page	Description	1 Piece	
		€/Piece	
55	Saw cut, price group 1 (A-E)	1,50	
55	Saw cut, price group 2 (F-K)	2,30	
55	Saw cut, price group 3 (L-P)	3,00	
56	Cross bushing bore for connectors (A-K, X)	1,50	
56	Bore for parallel-connector (Z)	2,60	
56	Cross bore (Q)	1,50	
56	Thread (L-W, Y)	2,00	
	Surcharge for scrap:	10 %	

Page	Product-No.	Description	length (m)	bar	
				€/m	€/bar
2	9.11.080080.83SBP.60	Telescopic profile 80×80, 8E, SBP	6	55.97	335.84
2	9.11.120120.123SP.60	Telescopic profile 120×120, 12E, SP	6	83.98	503.86
2	9.11.160160.163SP.60	Telescopic profile 160×160, 16E, SP	6	121.55	729.30

Page	Product-No.	Description	1 Piece	PU = 100 Pcs	
				€/Piece	€/PU
3	0.61.D00985.06	Hexagonal nut, DIN 985 - M6	0.18	0.161	16.06
3	0.63.MT091X.06016	Setscrew, special, M6×16 with spherical head, stainless	0.69	0.623	62.34
3	0.63.MT091X.06017	Setscrew, special, M6×17 with spherical head, stainless	0.69	0.623	62.34
3	9.67.1014036	Sliding block, stationary, 40×36.5	4.46	4.014	401.43
3	9.67.1015036	Sliding block, running, 50×36.5	3.10	2.786	278.64
3	9.67.1024	Bush for sliding block, stationary	2.99	2.692	269.20
3	9.67.1024.1409040	Feather key, A 14×9×40, thread M6, with 2 dowel pins	3.87	3.485	348.54

□.□□.□□□□□□.□□.99 = PU with 100 Pcs

### Commercial Terms and Conditions

- Prices:
- All prices are valid in EUR.
  - Prices do not include freight and packing.
  - Sales Tax, if payable, will be charged at the applicable rate.
  - Unless otherwise specified, all prices listed are for one item.
- Payment:
- All orders are C.O.D. until credit approved.
  - 2 % discount if paid within 14 days. All balances are due within 30 days of invoice.
  - F.O.B. Shipping Point.
- Minimum Order:
- A surcharge of EUR 15.00 will apply to all orders less than EUR 150.00.
- Restocking Fee:
- In case of returned goods, a 20 % restocking fee will be charged with a minimum fee EUR 25.00.
- Price Validity:
- This price list replaces all previous price lists. Error and price change are excepted.
- Conditions:
- Subject to the 'General Terms and Conditions of Sale' available on request.

### Imprint

Subject to technical modification.  
All rights reserved.  
Copying - also in parts - only allowed by written consent.  
© MayTec Aluminium Systemtechnik GmbH,  
Germany, D - 85221 Dachau, 2016

The key ...

to success

extremely strong

efficient

functional

### Australia

**MayTec Australia P/L**

Unit 8, 175 James Ruse Drive  
Rosehill, NSW 2142

country code: +61  
phone (0)2/9898 9929  
fax (0)2/9638 4086  
e-mail: [info@maytec.com.au](mailto:info@maytec.com.au)  
<http://www.maytec.com.au>

### Germany

**MayTec Aluminium  
Systemtechnik GmbH**  
Kopernikusstraße 20  
D-85221 Dachau

country code: +49  
phone (0)8131/3336-0  
fax (0)8131/3336-119  
e-mail: [mail@maytec.de](mailto:mail@maytec.de)  
<http://www.maytec.de>

### USA

**MayTec Inc.**

901 Wesemann Drive  
West Dundee, IL 60118

country code: +1  
phone 847-429-0321  
fax 847-429-0460  
e-mail: [mail@maytecinc.com](mailto:mail@maytecinc.com)  
<http://www.maytecinc.com>

**MayTec distributor**